

LIFT-O-MAT®

Gas Springs

For Convenient Cabinet Access

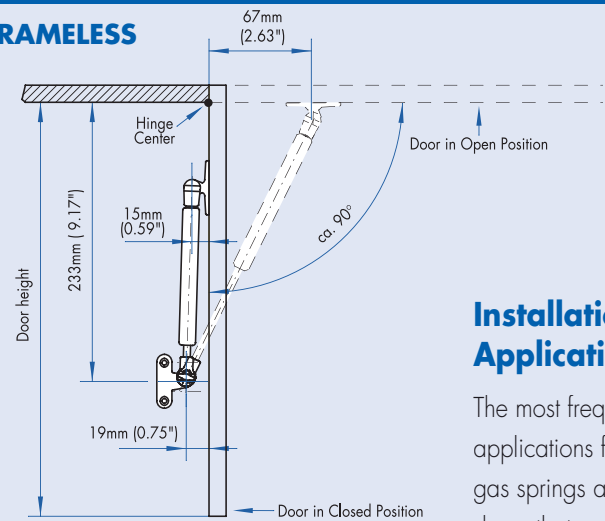


State-of-the-Art Functionality

Stabilus gas springs provide functionality with ultimate design and value. Our Lift-O-Mat® product provides the following benefits:

- Effortless opening of doors and lids
- Softer and quieter closing
- Smooth motion and stopping
- Secure holding in open and closed positions
- Easy to mount/install
- Compact and attractive design
- Maintenance free

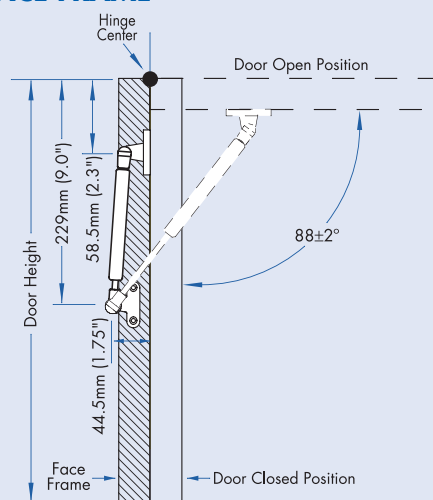
FRAMELESS



Installation Applications

The most frequent applications for furniture gas springs are cabinet doors that open upward. The best mounting orientation for each construction is shown. All measurements should be made from the hinge center.

FACE FRAME



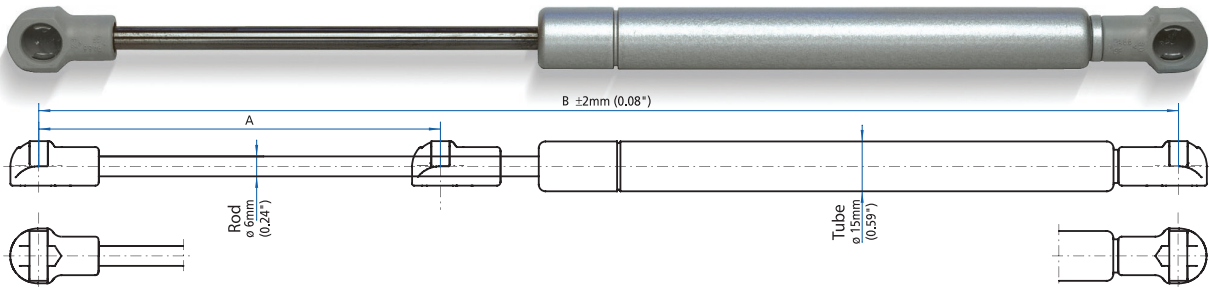
Gas Spring Selection Guide

Door weight

Door height	2 - 3 kg (5 - 7 lb)		3.5 - 4.5 kg (8 - 10 lb)		5 - 6 kg (11 - 13 lb)		6.5 - 9 kg (14 - 20 lb)	
	Quantity	Force	Quantity	Force	Quantity	Force	Quantity	Force
254 - 305 mm (10 - 12 in)	2	100 N (22.5 lb)	2	100 N (22.5 lb)	2	100 N (22.5 lb)	2	150 N (33.7 lb)
330 - 380 mm (13 - 15 in)	2	100 N (22.5 lb)	2	100 N (22.5 lb)	2	150 N (33.7 lb)	2	200 N (45.0 lb)
406 - 457 mm (16 - 18 in)	2	100 N (22.5 lb)	2	100 N (22.5 lb)	2	150 N (33.7 lb)	2	200 N (45.0 lb)
483 - 533 mm (19 - 21 in)	2	100 N (22.5 lb)	2	150 N (33.7 lb)	2	200 N (45.0 lb)	2	250 N (56.2 lb)
559 - 610 mm (22 - 24 in)	2	100 N (22.5 lb)	2	150 N (33.7 lb)	2	200 N (45.0 lb)	Application Assistance Required	

Selection Guide Notes: The values indicated are guidelines only. We recommend a functional check in the application itself; to take into consideration factors including exact center of gravity position, system friction, handles, etc. The use of different panel materials or different hinges may yield different results.

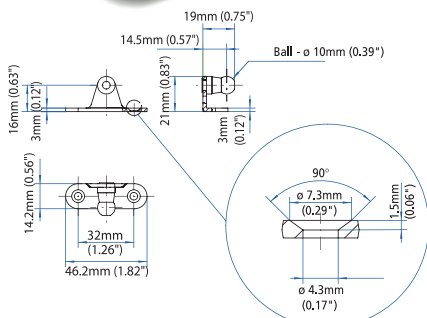
The forces given are guideline values and refer to the installation as shown on the front page. The assumed opening angle is approximately 90°. Opening angle variations are achieved by adjusting the rod end mounting position.



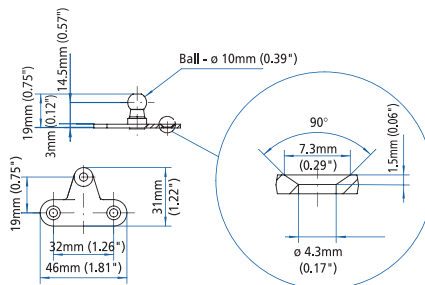
Gas Springs and End Fittings for Mounting on Cabinet Doors

Stroke (A)	Extended Length (B)	Force (F.)	Bulk Pack Gas Springs Only		Kit Pack 1 Kit Pack 1 includes (2) Gas Springs, (2) Bracket 9222SJ and (2) Bracket 7592TM.		Kit Pack 1R Kit Pack 1R includes (2) Gas Springs, (2) Bracket 7592TM and (2) Bracket 6284UG.	
			Black	Silver	Black	Silver	Black	Silver
80mm (3 5/32")	235.5mm (9 1/4")	100 N (22.5 lb)	8879SS	8851SQ	4317UP	4319UF	9945UG	8124UG
		150 N (33.7 lb)	8055SZ	8852SL	4318UK	4321UM	9944UL	8125UB
		200 N (45.0 lb)	8881SZ	8853SG	8029UP	8026UD	9943UQ	8126UX
		250 N (56.2 lb)	8882SU	8854SB	8031UW	8027UZ	9946UB	8127US

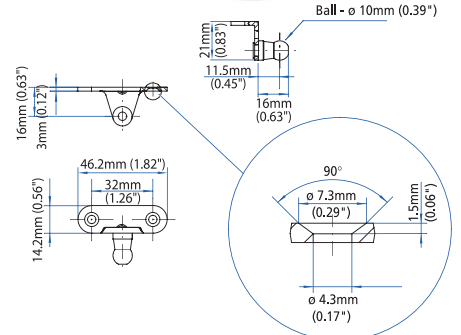
9222SJ



7592TM



6284UG



Information subject to change at Stabilus' discretion.

Stabilus Gas Springs
Distributed By:

Orr & Orr Inc.
7301 So. Meade Ave.
Bedford Park, IL 60638

www.orr.com
Phone: 708-496-9800
email: sales@orr.com



LIFT-O-MAT[®]

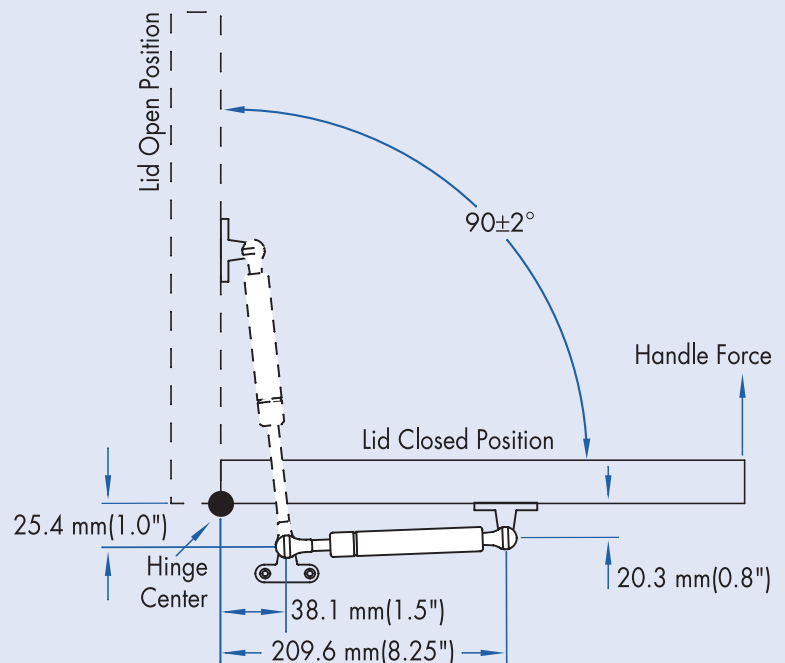
Gas Springs

For Convenient Chest/Box Access

State-of-the-Art Functionality

Stabilus gas springs provide functionality with ultimate design and value. Our Lift-O-Mat[®] product provides the following benefits:

- Effortless opening of doors and lids
- Softer and quieter closing
- Smooth motion and stopping
- Secure holding in open and closed positions
- Easy to mount/install
- Compact and attractive design
- Maintenance free



Installation Applications

The best mounting orientation for chest/box application is shown. All measurements should be made from the hinge center.

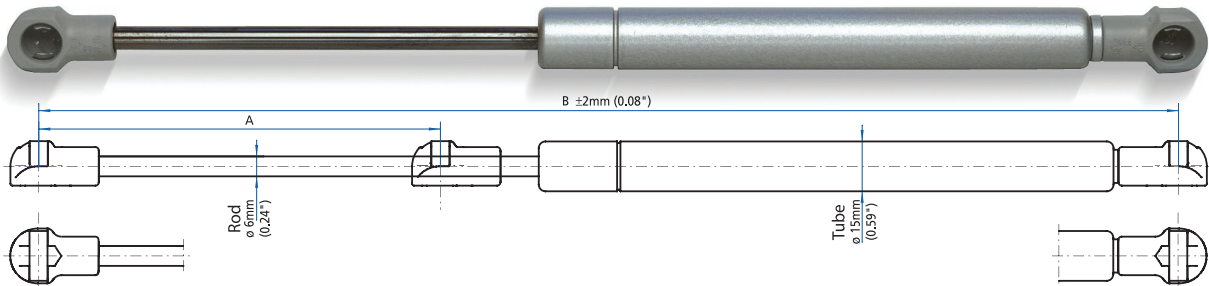
Gas Spring Selection Guide

Door weight

Door height	2 - 3 kg (5 - 7 lb)		3.5 - 4.5 kg (8 - 10 lb)		5 - 6 kg (11 - 13 lb)		6.5 - 7.5 kg (14 - 17 lb)		8 - 9.5 kg (18 - 21 lb)	
	Quantity	Force	Quantity	Force	Quantity	Force	Quantity	Force	Quantity	Force
406 - 457 mm (16 - 18 in)	APPLICATION ASSISTANCE REQUIRED		1	100 N (22.5 lb)	1	150 N (33.7 lb)	2	100 N (22.5 lb)	2	150 N (33.7 lb)
483 - 533 mm (19 - 21 in)	1	100 N (22.5 lb)	1	150 N (33.7 lb)	2	100 N (22.5 lb)	2	150 N (33.7 lb)	2	150 N (33.7 lb)
559 - 610 mm (22 - 24 in)	1	100 N (22.5 lb)	1	150 N (33.7 lb)	2	100 N (22.5 lb)	2	150 N (33.7 lb)	2	200 N (45.0 lb)
635 - 686 mm (25 - 27 in)	1	150 N (33.7 lb)	2	100 N (22.5 lb)	2	100 N (22.5 lb)	2	200 N (45.0 lb)	2	200 N (45.0 lb)
711 - 762 mm (28 - 30 in)	1	150 N (33.7 lb)	2	100 N (22.5 lb)	2	150 N (33.7 lb)	2	200 N (45.0 lb)	2	250 N (56.2 lb)

Selection Guide Notes: The values indicated are guidelines only. We recommend a functional check in the application itself; to take into consideration factors including exact center of gravity position, system friction, handles, etc. The use of different panel materials or different hinges may yield different results.

The forces given are guideline values and refer to the installation as shown on the front page. The assumed opening angle is approximately 90°. Opening angle variations are achieved by adjusting the rod end mounting position.

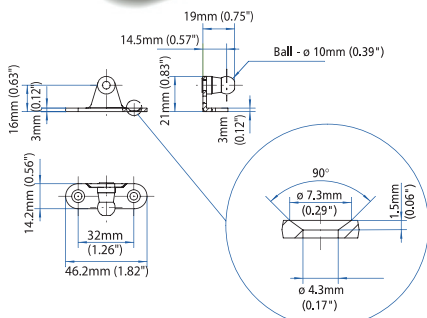


Gas Springs and End Fittings for Mounting on Cabinet Doors

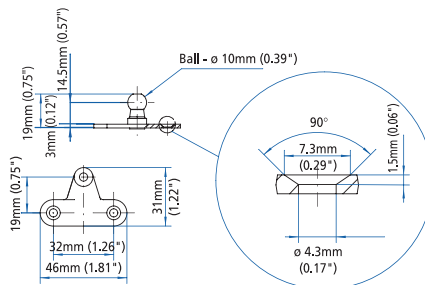
Stroke (A)	Extended Length (B)	Force (F.)	Bulk Pack Gas Springs Only		Kit Pack 1 Kit Pack 1 includes (2) Gas Springs, (2) Bracket 9222SJ and (2) Bracket 7592TM.		Kit Pack 1R Kit Pack 1R includes (2) Gas Springs, (2) Bracket 7592TM and (2) Bracket 6284UG.	
			Black	Silver	Black	Silver	Black	Silver
80mm (3 5/32")	235.5mm (9 1/4")	100 N (22.5 lb)	8879SS	8851SQ	4317UP	4319UF	9945UG	8124UG
		150 N (33.7 lb)	8055SZ	8852SL	4318UK	4321UM	9944UL	8125UB
		200 N (45.0 lb)	8881SZ	8853SG	8029UP	8026UD	9943UQ	8126UX
		250 N (56.2 lb)	8882SU	8854SB	8031UW	8027UZ	9946UB	8127US



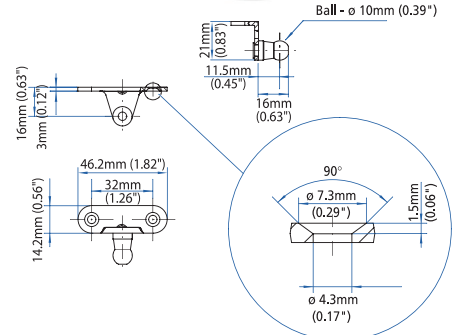
9222SJ



7592TM



6284UG



Information subject to change at Stabilus' discretion.

**Stabilus Gas Springs
Distributed By:**

**Orr & Orr Inc
7301 So. Meade Ave
Bedford Park, IL 60638**

**www.orr.com
Phone: 708-496-9800
email: sales@orr.com**